

Alvit Premium Handle, Lever on Round Rose



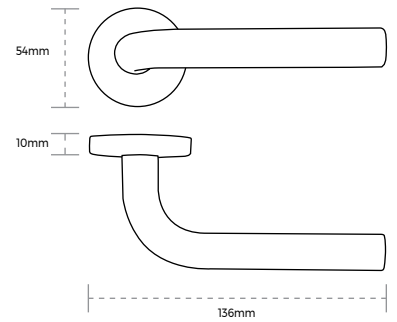
Satin Stainless Steel

The SPÄRKA Alvit Premium Handle, Lever on Round Rose is ideal for interior and exterior doors.

Bolt through fixings included. 19mm Dia. Straight lever on Round Rose blends in with all modern and contemporary designs with it's clean simple lines. Finished in Satin Stainless Steel.

SKU	Size	Finish	Package Type	Qty
HAI421.SSS	54mm	Satin Stainless Steel	Retail Bag	1 Pair
HAI416.SSS	54mm	Satin Stainless Steel	Trade Packed	1 Pair

TECHNICAL



KEY FEATURES:

- Pair of lever handles on round rose
- Sprung, for use with standard duty latches
- To suit doors up to 44mm thick
- Manufactured from Stainless Steel Grade 304 with brass spindle housing, making it strong and durable
- Tested to EN1906 to Grade 3
- 100 hours salt spray tested as per ASTM B117:2016.
- Fire Tested FD30/ 60 minutes
- Supplied with all fixings, including concealed bolt-through fixings to ensure a strong installation that won't come loose over time
- Low maintenance finish

Jennie Premium Handle, Lever on Round Rose



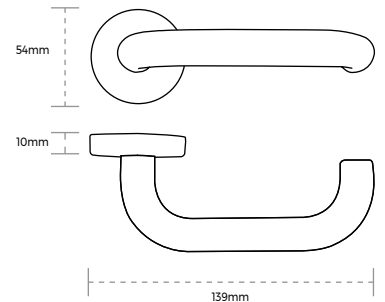
Satin Stainless Steel

The SPÄRKA Jennie Premium Handle, Lever on Round Rose is ideal for interior and exterior doors.

Bolt through fixings included. 19mm Dia. Lever on Round Rose. This handle is a return to door design which makes this handle easier to grip, helps to reduce catching clothes and compliant with BS8300 / Equality Act. Ideal for use in the work environment, housing and public buildings. Finished in Satin Stainless Steel.

SKU	Size	Finish	Package Type	Qty
HAI422.SSS	54mm	Satin Stainless Steel	Retail Bag	1 Pair
HAI417.SSS	54mm	Satin Stainless Steel	Trade Packed	1 Pair

TECHNICAL



KEY FEATURES:

- Pair of lever handles on round rose
- Sprung, for use with standard duty latches
- To suit doors up to 44mm thick
- Manufactured from Stainless Steel Grade 304 with brass spindle housing, making it strong and durable
- Tested to EN1906 to Grade 3
- 100 hours salt spray tested as per ASTM B117:2016.
- Fire Tested FD30/ 60 minutes
- Supplied with all fixings, including concealed bolt-through fixings to ensure a strong installation that won't come loose over time
- Low maintenance finish
- Return to Door handle that helps to assist BS8300 / Equality Act - ideal for public buildings

Duane Premium Handle, Lever on Round Rose



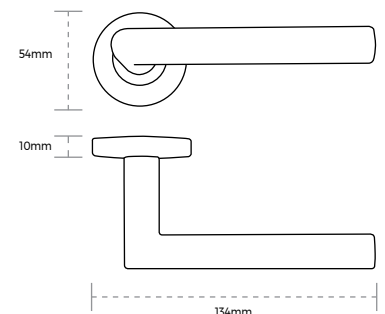
Satin Stainless Steel

The SPÄRKA Duane Premium Handle, Lever on Round Rose is ideal for interior and exterior doors.

Bolt through fixings included. 19mm Dia Mitred Lever on Round Rose, always looks classic on a door and enhances the finish. Finished in Satin Stainless Steel.

SKU	Size	Finish	Package Type	Qty
HAI423.SSS	54mm	Satin Stainless Steel	Retail Bag	1 Pair
HAI418.SSS	54mm	Satin Stainless Steel	Trade Packed	1 Pair

TECHNICAL



KEY FEATURES:

- Pair of lever handles on round rose
- Sprung, for use with standard duty latches
- To suit doors up to 44mm thick
- Manufactured from Stainless Steel Grade 304 with brass spindle housing, making it strong and durable
- Tested to EN1906 to Grade 3
- 100 hours salt spray tested as per ASTM B117:2016.
- Fire Tested FD30/ 60 minutes
- Supplied with all fixings, including concealed bolt-through fixings to ensure a strong installation that won't come loose over time
- Low maintenance finish